

15

1503 18

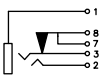
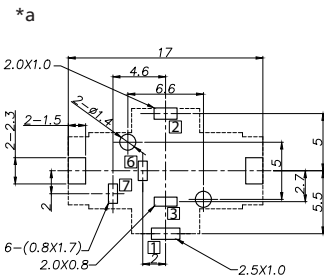
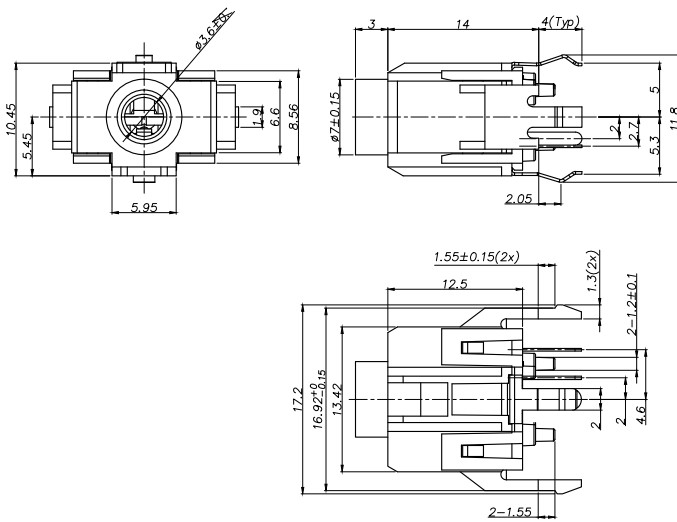
## Jack connectors



Jack chassis socket acc. to JIS C 6560 JC35J3Z, 3.5 mm, 3 poles/stereo, upright version, with break contact, for printed circuit boards, with retaining hooks

15

1503 18



\*a printed circuit board layout, solder side view

### Environmental conditions

Temperature range -25 °C/+70 °C

### Materials

Insulating body	PBT, V-0 according to UL94
Contact spring	Cu alloy, silver-plated
Sleeve	Cu alloy, nickel-plated
Insulation	POM, HB according to UL94
Cover	POM, HB according to UL94

### Mechanical data

Mating cycles	5000
Insertion force	3,9–29,4 N
Withdrawal force	2,9–29,4 N

### Electrical data (at T<sub>amb</sub> 20 °C)

Contact resistance	≤ 30 mΩ
Rated current	1 A
Rated voltage	12 V
Insulation resistance	≥ 100 MΩ

### Associated products

Counterparts  
 ☞ 1532 07      ☞ KLS 40      ☞ KLS 44  
 ☞ WKLS 40

15

1503 18

Designation	Pole Number	PU (Pieces)	MDQ (Pieces)
1503 18	3	100	1000

**Packaging:**  
in a tray